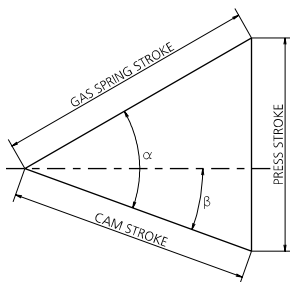
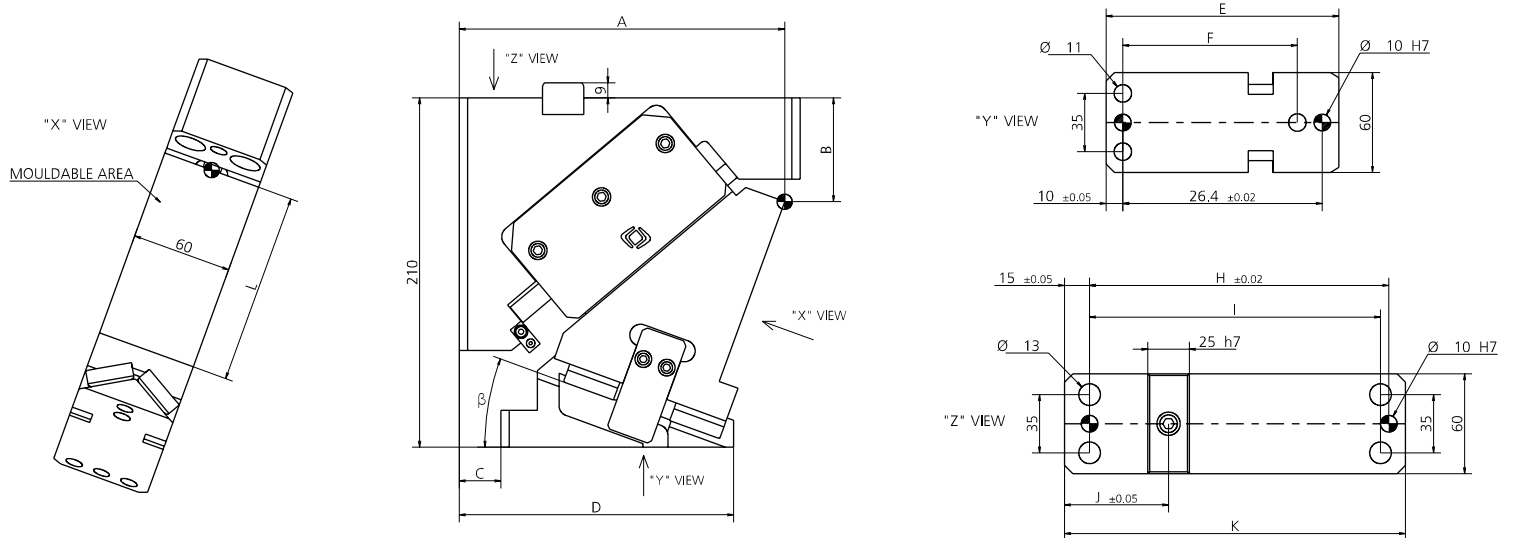


POS.	DESCRIPTION	Q.TY
001	CUNEO / WEDGE / DRUCKKEIL	1
002	SLITTA / SLIDER / LAGERKEIL	1
003	CORPO CAMMA / CAM BODY / GRUNDGEHÄUSE	1
004	STAFFA DI AGGANCIO / BRACKET ATTACHMENTS / BRACKETBEFESTIGUNG	2
005	PIASTRINA / PLATE / PLATTE	1
006	DISTANZIALE / SPACER / ABSTANDSHALTER	1
007	STAFFA / BRACKET / BRACKET	2

POS.	DESCRIPTION	Q.TY
008	CHIAVETTA / KEY / SCHLÜSSEL	1
009	PIASTRA DI SCORRIMENTO / WEAR PLATE / DRUCKPLATTE	2
010	PIASTRA DI SCORRIMENTO / WEAR PLATE / DRUCKPLATTE	2
011	CILINDRO AD AZOTO / NITROGEN CYLINDER / STICKSTOFFZYLINDER	1
012	PUNTALINO / BUMP STOP / STOSSDÄMPFERSPITZE	2
013	KIT SENSORE DI SICUREZZA / SECURITY SENSOR KIT / KIT SENSOR FÜR SICHERHEIT	1*OPTION
014	FINECORSA / LIMIT SWITCHES / ENDSCHALTER	1



$\beta$	$\alpha$	PRESS STROKE	GAS SPRING STROKE	CAM STROKE	EXTRACTION FORCE (DAN)	CUTTING FORCE (DAN)
0°	50°	22.98	30	19.28	510	13600
5°	50°	23.07	30	21.29	510	13700
10°	55°	24.95	30	21.54	540	13800
15°	55°	25.44	30	23.79	540	13900
20°	60°	27.65	30	24.46	570	14000
25°	60°	28.67	30	27.12	570	14100
30°	60°	30	30	30	570	14200
35°	65°	33.19	30	31.72	590	14300
40°	65°	35.49	30	35.49	590	14300
45°	70°	39.87	30	38.45	600	14300
50°	70°	43.86	30	43.86	600	14200
55°	75°	50.52	30	49.15	610	14200
60°	75°	57.96	30	57.96	610	14200
65°	80°	69.91	30	68.57	620	14200
70°	85°	72.82	25	70.6	620	14100
75°	85°	76.98	20	76.1	620	14100



CODE	$\beta$	A	B	C	D	E	F	G	H	I	J	K	L
0150.0060-00	0°	175	45	25	180	155	105	120	180	175	62.5	205	110
0150.0060-05	5°	180.13	47.41	25	175	150	105	120	180	175	62.5	205	110
0150.0060-10	10°	185.04	50.25	25	170	145	105	120	180	175	62.5	205	110
0150.0060-15	15°	192.27	53.85	25	165	140	105	120	180	175	62.5	205	110
0150.0060-20	20°	195.72	62.47	25	165	140	105	120	180	175	62.5	205	115
0150.0060-25	25°	200.13	66.65	25	150	125	80	95	180	175	62.5	205	115
0150.0060-30	30°	204.15	19.27	25	150	125	80	95	180	175	62.5	205	115
0150.0060-35	35°	207.76	76.09	25	140	115	80	95	180	175	62.5	205	115
0150.0060-40	40°	207.72	85.11	10	120	110	65	80	195	190	62.5	220	115
0150.0060-45	45°	236.57	93.78	40	145	105	65	80	210	205	92.5	235	115
0150.0060-50	50°	223.2	103.8	10	115	105	50	65	195	190	77.5	220	115
0150.0060-55	55°	224.4	108.94	10	115	105	50	70	195	190	77.5	220	115
0150.0060-60	60°	216.47	119.15	10	102	92	50	65	195	190	77.5	220	115
0150.0060-65	65°	216.34	123.64	10	95	85	50	65	195	190	77.5	220	115
0150.0060-70	70°	219.64	141.26	10	95	85	20	35	195	190	62.5	220	115
0150.0060-75	75°	219.26	147.33	10	90	80	20	35	210	205	62.5	235	115

**13 PATENT PENDING**

13 (8107) SENSORE / SENSOR / SENSOR



MODELLO D'ORDINE / ORDER EXAMPLE / BESTELLBEISPIEL / MODÈLE DE COMMANDE

MODEL **0150.0060** INCLINAZIONE **-10°** OPTION CODE **8107.0150.0060.001**